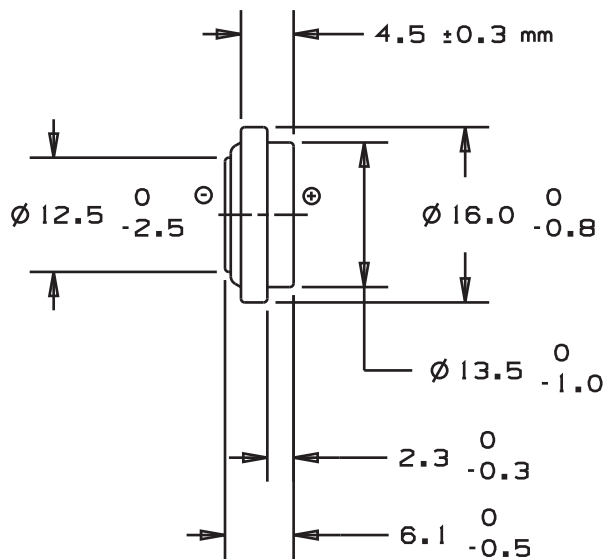




Kodak Alkaline Battery

KA625

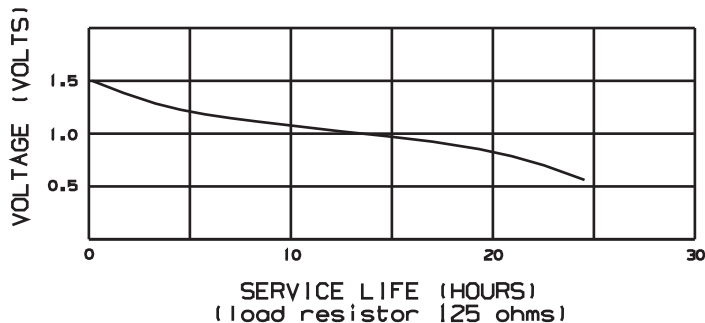
Effective : July 2003



System:	Alkaline/Manganese Dioxide, Zn/MnO ₂
Designation:	IEC LR9
Nominal Voltage:	1.5 Volts
Rated Capacity:	200 mAh at 300 Ohms to 0.9 Volts
Temperature Range:	-10°C to 54°C Operating -10°C to 45°C Storage
Average Weight:	3.3 grams
Volume:	1.01 cm ³
Terminals:	Flat Contacts
Jacket:	None

NOTE: (1) This battery complies with: ANSI C18, IEC 60086, & EEC directive 91/157 standards.

Typical Discharge Characteristics at 20° C



DISCHARGE RESISTANCE: 125 OHM
DISCHARGE CONDITION: 24 HRS/DAY
SERVICE LIFE: 18 HOURS
CUT-OFF VOLTAGE: 0.9 VOLTS AT 20° C

The curves and data in this publication represent product tested under the conditions specified. They do not represent standards or specifications which must be met by Eastman Kodak Company. The company reserves the right to change and improve product characteristics at any time.

For more information, contact
EASTMAN KODAK COMPANY
343 State Street
Rochester, New York 14650-0811
1-800-242-2424
www.kodak.com/go/batteries